

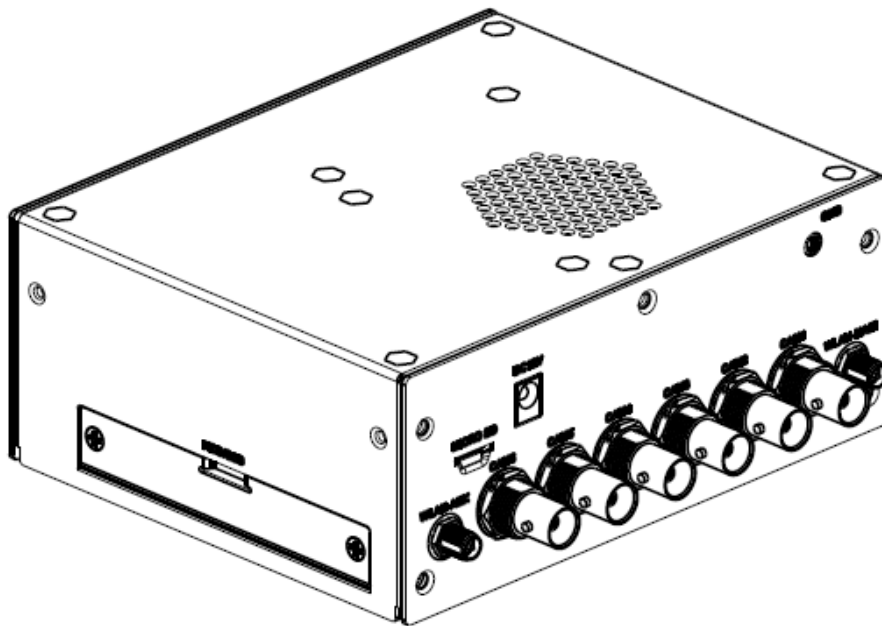
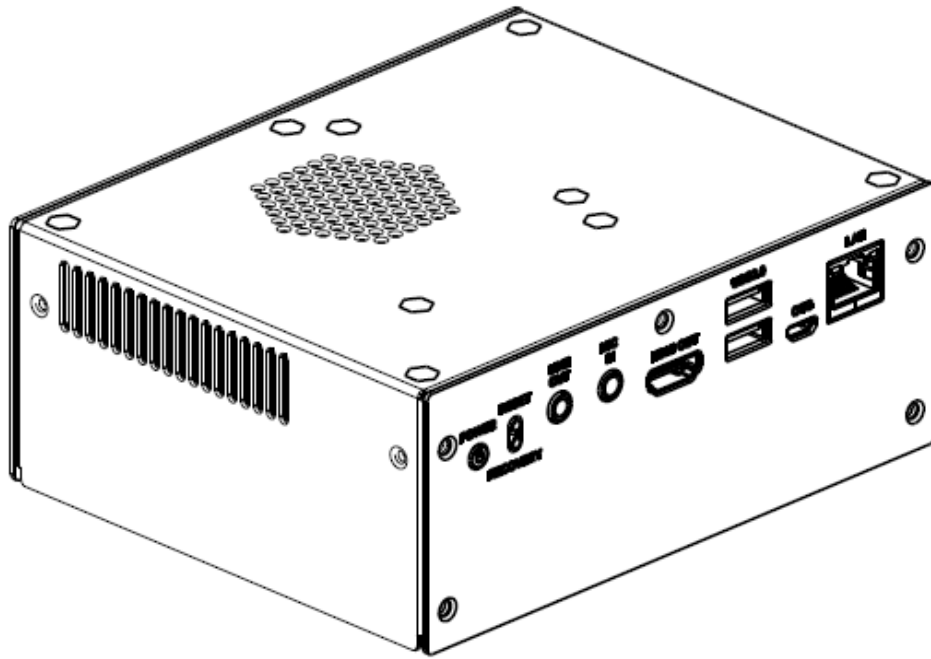
Artificial Intelligence

Edge Computer

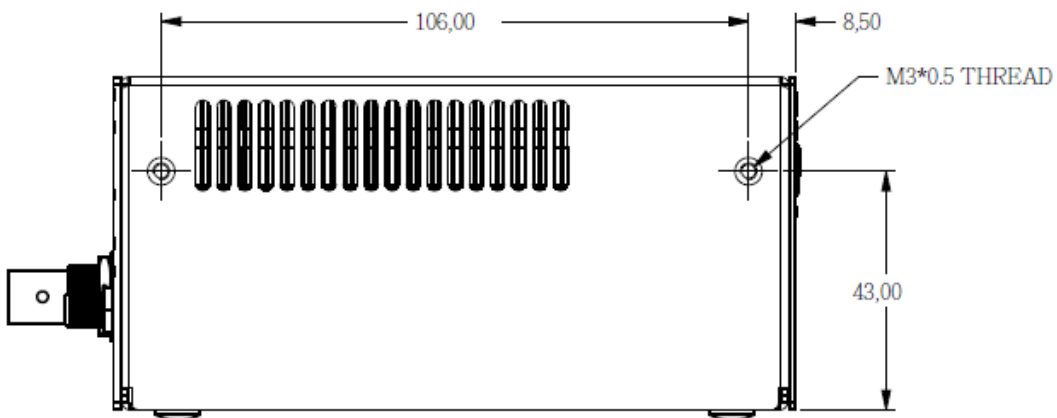
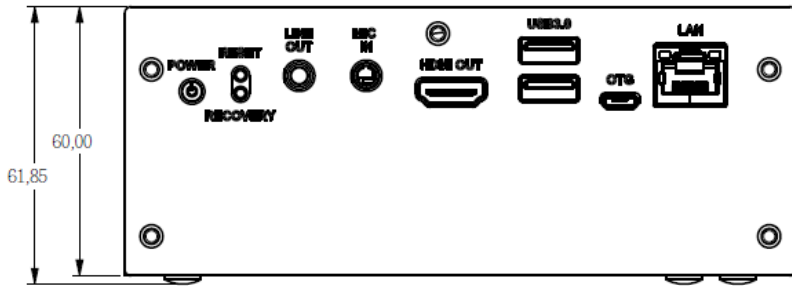
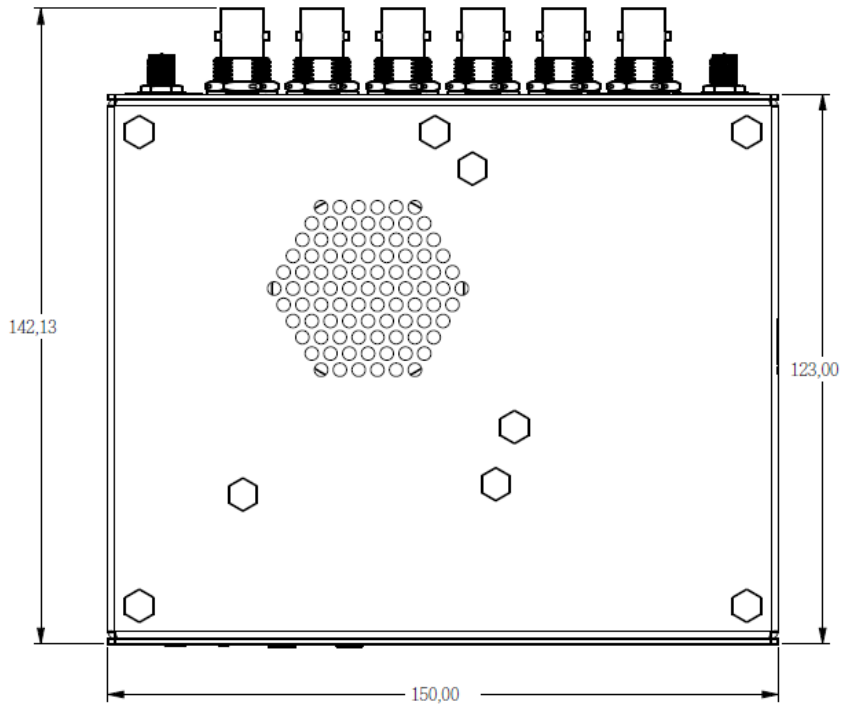
WB-N212



Outlook



Dimension



Product Specification

System	
Module	nVidia Jetson TX2 module
CPU	HMP Dual Denver 2/2 MB L2 +, Quad ARM® A57/2 MB L2
GPU	NVIDIA Pascal™ 256 CUDA core GPU
DRAM	On Board 8GB LPDDR4
BSP Storage	On-Board 32GB eMMC (eMMC5.1) for BSP
I/O	
Network (LAN)	1x Gigabit Ethernet (10/100/1000), RJ45 w/ LED
Display	1x HDMI (Type A)
Audio	1x 3.5mm phone jack for line-out 1x 3.5mm phone jack for MIC line in, audio plug detect
OTG	1x Micro USB
USB	2x USB 3.0 type-A (compatible to USB2.0)
WiFi/BT	802.11a/b/g/n/ac + BT4.0 (Option)
Analog Camera Connector	6 x BNC connector for analog camera
Storage	
Micro SD	1x Micro SD card slot for SDXC SD Card
SATA	1x tray for 2.5" Removable HDD/SSD
Button	
Power	1x Power button
Reset	1x Reset button
Recover	1x Recovery button
Miscellaneous	
Power on	3 PIN Jump switch for system turn on by button or automatic
OS Support	
OS Support	Linux 4.4.38 / ubuntu 16.04
Power Consumption	
Input Voltage	DC12V +/-10%
Consumption	42 watt (max.) w/o daughter boards
Environment	
Operating Temperature	※-20 ~ 70 °C (system only not include storage) ※Customer using HDD/SSD storage please be sure the storage working temperature can meet requirement
Storage Temperature	-30 ~ 80 °C (-22 ~ 176 °F)
Relative Humidity	5 ~ 95% non-Condensing
EMC	CE, FCC Class B (TBD)

Physical

Dimensions L:150mm x W:123mm x H:60mm (Box size)

Weight 1.38kg (w/o SSD/HDD)

CONFIDENTIAL